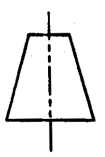
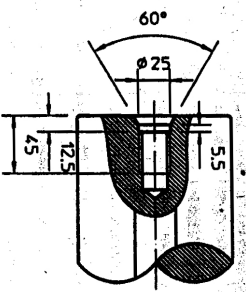
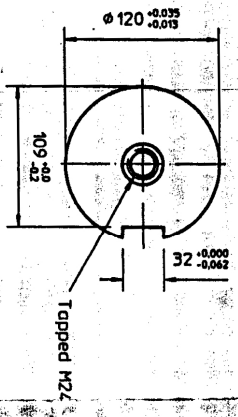
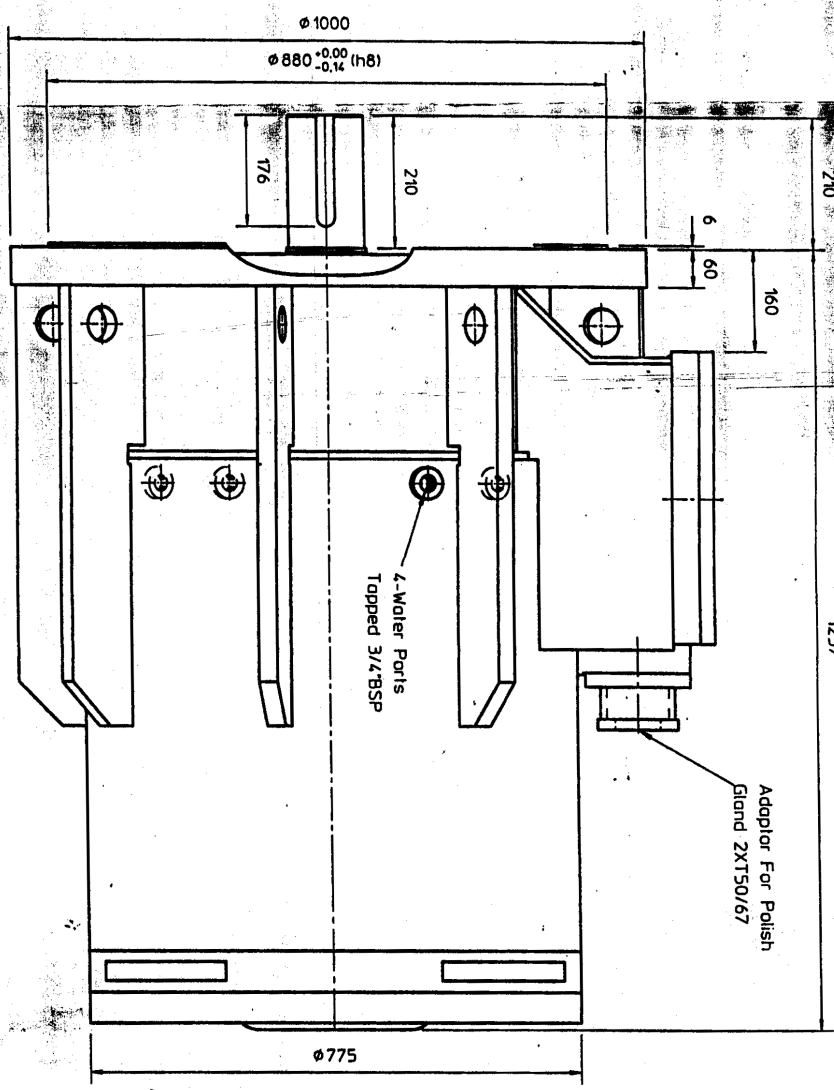
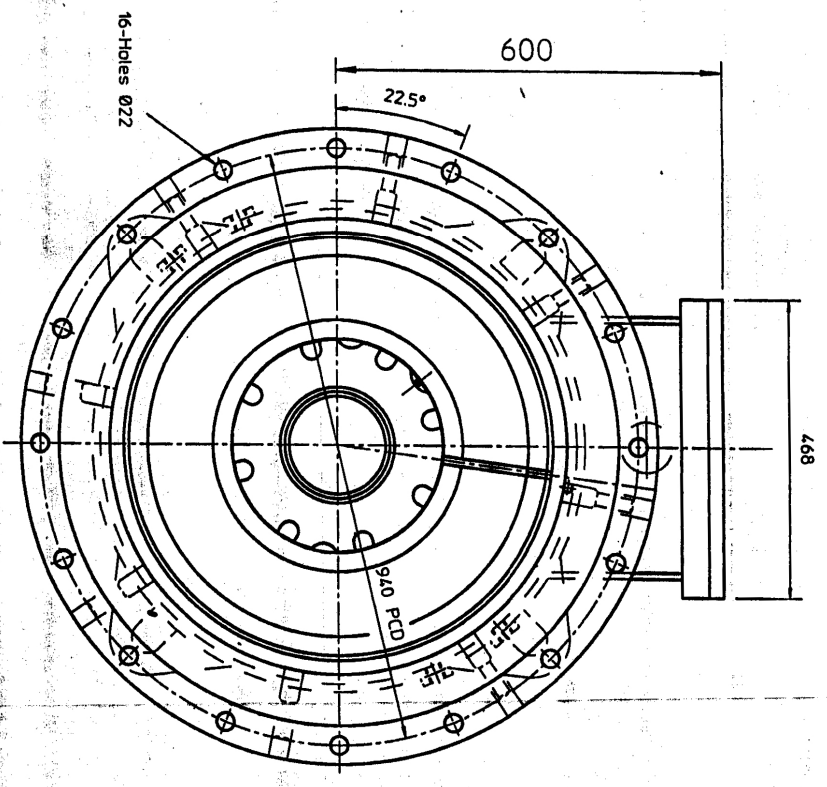


IF IN DOUBT ASK



DO NOT SCALE

DRAWING No. **3-17520** ISSUE **0**



Shaft End Detail

27 JUL 2001

ISSUE	DATE	CHANGE
Rating-	M/C/L	
Frequency-	50	
Phase-	3	
Volts-	3300	
R.P.M. -	14	
Kwh-	500	

ALL DIMENSIONS IN MILLIMETRES	
FLP SURFACES PROVED FLAT TO	
SURFACE TEXTURE IN MICROMETRES	
MACHINE WHERE MARKED ✓	
REMOVE SHARP EDGES	
TOLERANCES UNLESS OTHERWISE STATED	
DIMENSIONAL ± ANGULAR ±	

**GMW50 WATER COOLED ROUND FLANGE FLP G1 FOR POLAND**

**THE MORLEY ELEC, ENG, CO, LTD.**

**PUDSEY, WEST YORKSHIRE, LS28 6QA.**

DRAWN	N.L.
APPROVED	G.SICK
DATE	29-06-01
SCALE	1:1

DRAWING No. **3-17520** ISSUE **0**